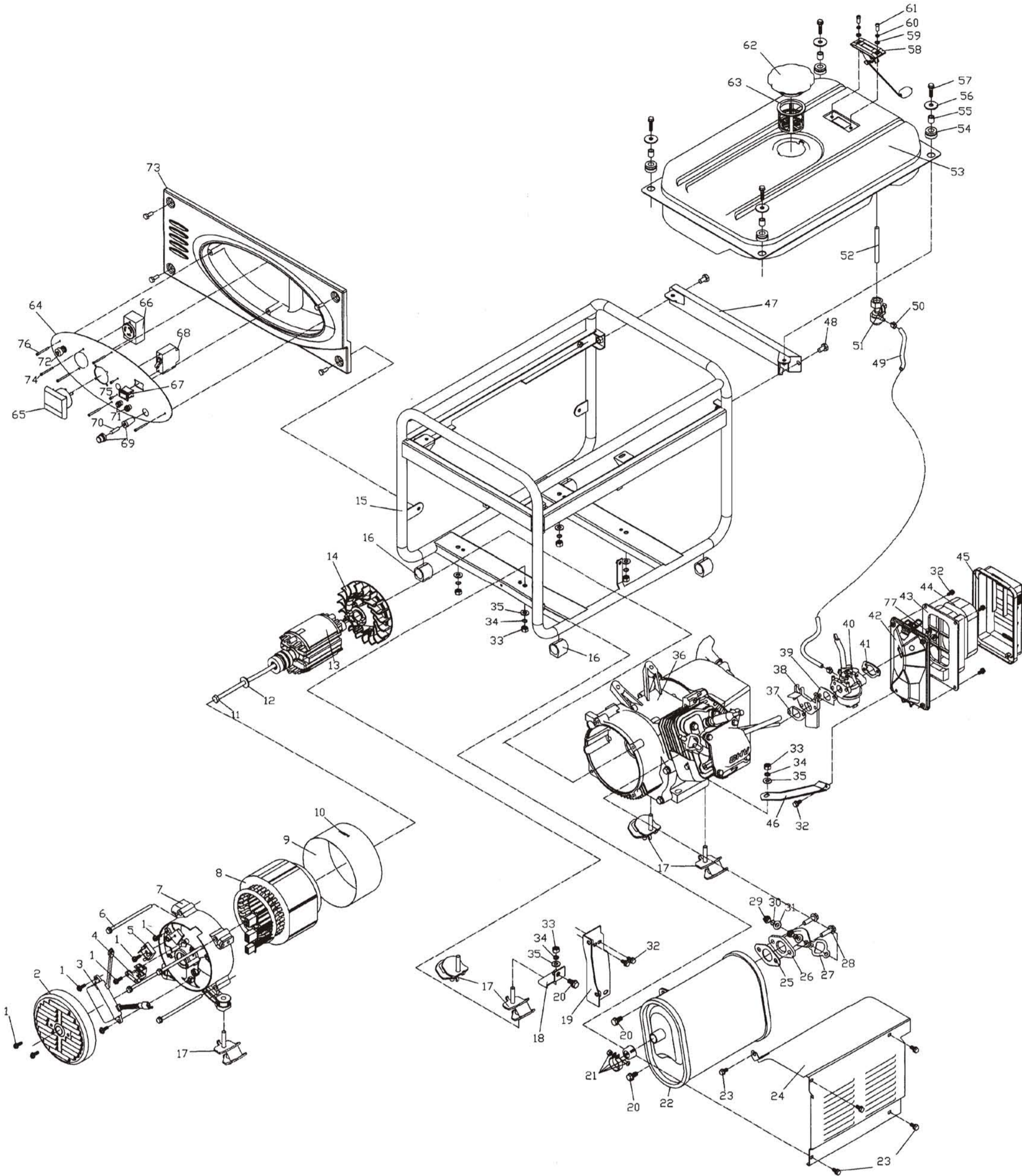


PARTS CATALOG

KGE2500X



No.	Code	Description	Qty.	No.	Code	Description	Qty.	No.	Code	Description	Qty.	No.	Code	Description	Qty.
1	GB6563-86	Hexagonal Self-tapping Locking Screw M5 x 1	7	21	KGE2500X-10300	Spark Arrest Assembly	1	41	KG160-07005	Air Cleaner Gasket	1	61	GB/T818-85	Screw M5 x12	2
2	8KM.012.009	Rear Housing	1	22	KGE2500X-10100	Muffler Weldment	1	42	KG160GX-07100	Air Cleaner Lower Case	1	62	KGE2500X-11200	Fuel Tank Cap Asseem	1
3	AVR	Excitation AVR	1	23	GB/T5788-86	Bolt M6 x 8	5	43	KG160GX-07002	Lower Case Cap	1	63	KGE2500X-11300	Fuel Element Assembly	1
4	D104	Carbon Brush Bracket	1	24	KGE2500X-10400	Muffler Protecting Plate	1	44	KG160GX-07003	Filter Element	1	64	KGE2500X-13110CH	Control Panel	1
5	KBPC35-10	Rectifier	1	25	KGE2500X-10001	Exhaust manifold Sealing Gasket	1	45	KG160GX-07004	Air Cleaner Cap	1	65	MU-45	Voltmeter (0-300V)	1
6	8KM.203.009	Stator Attachment Bolt	4	26	KGE2500X-10200	Exhaust manifold Weldment	1	46	KG200GX-07006	Air Cleaner Setting Plate	1	66	25A 250V	Single Phase Receptacle	1
7	8KM.032.009	Rear Cover	1	27	KG160-02014	Exhaust Pipe Gasket	1	47	KGE2500X-03200	Housing Bracket	1	67		Swing Switch(Six Feet)	1
8	3KM.681.009	Stator Assembly	1	28	GB/T5788-86	Bolt M8 x 30	2	48	GB5783-86	Nut M8 x 16	2	68	D30/1620 10A	Air Breaker	1
9	8KM.011.009	Alternator Protecting Plate	1	29	GB/T41-86	Nut M8	2	49	KGE2500X-11004	Fuel Pipe	1	69		Fuse Seat (BL x Φ 6 x 30)	1
10		Generator Set Number	1	30	GB/T93-87	Spring Gasket 8	2	50	KGE2500X-11003	Fuel Pipe loop	2	70		Fuse (BL x Φ 6 x 30)	1
11	8KM.202.009	Though-shaft Bolt	1	31	GB/T95-85	Flat Gasket 8	2	51	KGE2500X-11500	Fuel Cock Assembly	1	71	JS-107 (M5)	Terminal Assembly (Red/Black)	1
12	8KM.214.009	Though-shaft Bolt Gasket	1	32	GB/T5788-86	Bolt M6 x 10	7	52	KGE2500X-11500	Fuel Cock Assembly	1	72		Grounding Terminal	1
13	5KM.617.009	Rotor Assembly	1	33	GB/T41-86	Nut M8	6	53	KGE2500X-11100	Fuel Tank Weldment	1	73	KGE2500X-09001	Control Panel Rear Cover	1
14	8KM..451.009	Fan	1	34	GB/T93-87	Spring Gasket 8	6	54	KGE2500X-11002	Cushion	4	74	GB818-85	Plus Screw M3 x 32	2
15	KGE2500X-03100	Housing Weldment	1	35	GB/T95-85	Flat Gasket 8	6	55	KGE2500X-11001	Spacer	4	75	GB818-85	Plus Screw M3 x 10	2
16	KGE2500X-03001	Housing Damping Sheath	4	36	KG200GX	Gasoline Engine	1	56	GB/T5287-86	Gasket 6	4	76	GB/T845-85	Plus Self-tapping Lock Screw ST5 x 20	4
17	KGE2500X-12000	Cushion Assembly	4	37	KG160-02013	Insulation Gasket B	1	57	GB/T5788-86	Bolt M6 x 25	4	77	GB/T6177-86	NutM6	2
18	KGE2500X-10600	Muffler Connecting Plate Weldment	1	38	KG160-02017	Carburetor Insulation Block	1	58	KGE2500X-11400	Fuel Indicator Assembly	1				
19	KGE2500X-10500	Muffler rack weldment	1	39	KG160-02018	Carburetor Insulation Block	1	59	GB/T95-85	Gasket 5	2				
20	GB/T5788-86	Hexagonal Flange Bolt M8 x 16	3	40	KG200GX-10000	Carburetor Assembly	1	60	GB/T93-87	Spring Gasket 5	2				