

KGFC350/500

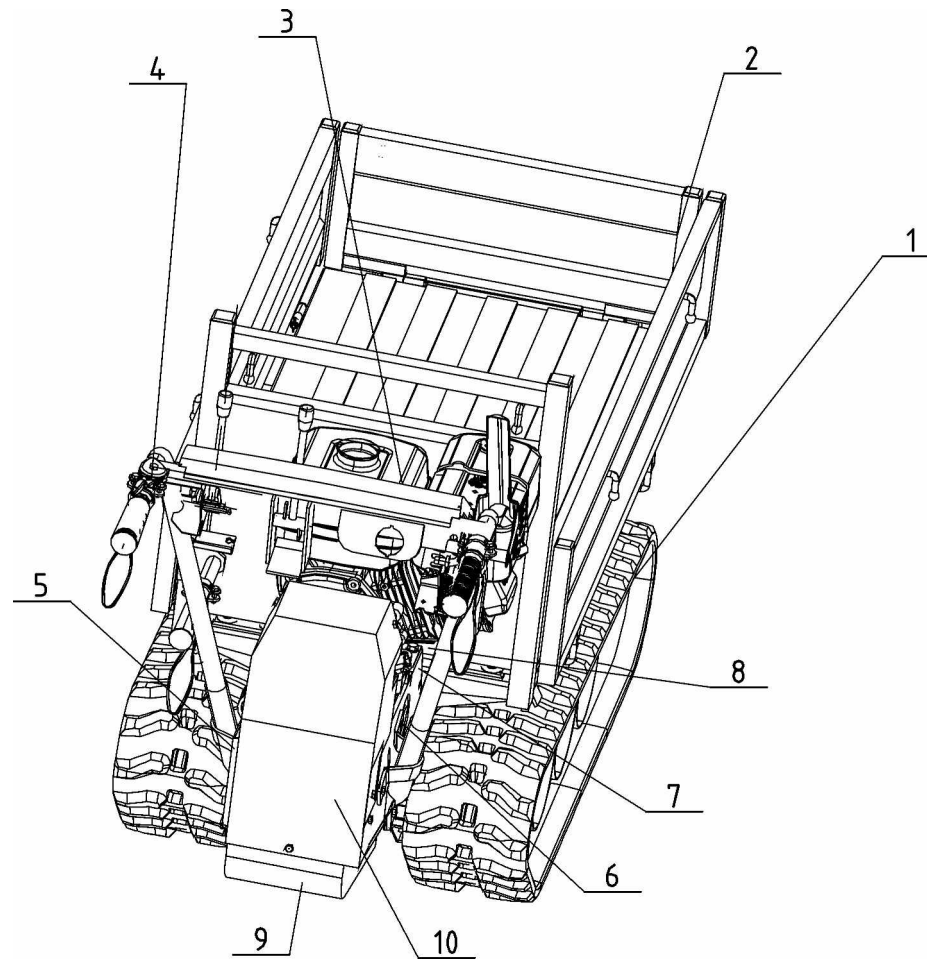
Mini Carrier Part List

Wuxi Kipor Power Co., Ltd.

Contents

1. General assembly of auxiliary machine	1
2. General assembly of running gear	3
3. General assembly of carriage	5
4. General assembly of engine	7
5. General assembly of handrail	9
6. General assembly of left side board.....	11
7. General assembly of driving axle	13
8. General assembly of right side board	18
9. General assembly of support cover	20
10. General assembly of base plate.....	22
11. General assembly of rear cover	24

KGFC350/500-0000000 General assembly of auxiliary machine

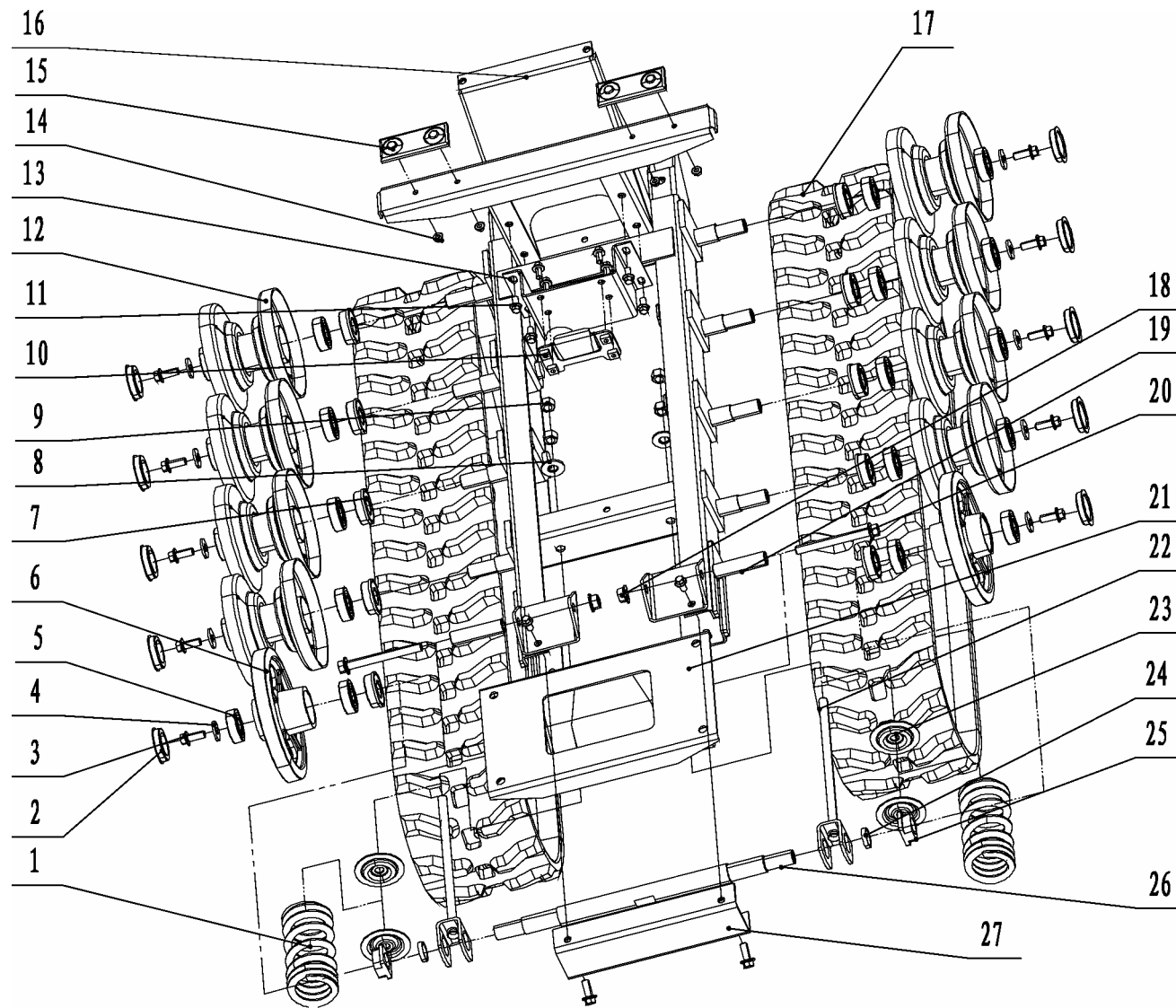


KGFC350/500-00000000General assembly of auxiliary machine

No.	Code	Name	Qty.	No.	Code	Name	Qty.
1	KGFC500-010000000	General assembly of running gear	1				
2	KGFC500-020000000	General assembly of carriage	1				
3	KGFC500-030000000	General assembly of engine	1				
4	KGFC500-040000000	General assembly of handrail	1				
5	KGFC500-050000000	General assembly of left side board	1				
6	KGFC500-060000000	General assembly of driving axle	1				
7	KGFC500-070000000	General assembly of right side board	1				
8	KGFC500-080000000	General assembly of support cover	1				
9	KGFC500-090000000	General assembly of base plate	1				
10	KGFC500-100000000	General assembly of rear cover	1				

Note: the difference between KGFC350 and KGFC500 is the engine and running gear.

KGFC350/500-01000000 General assembly of running gear

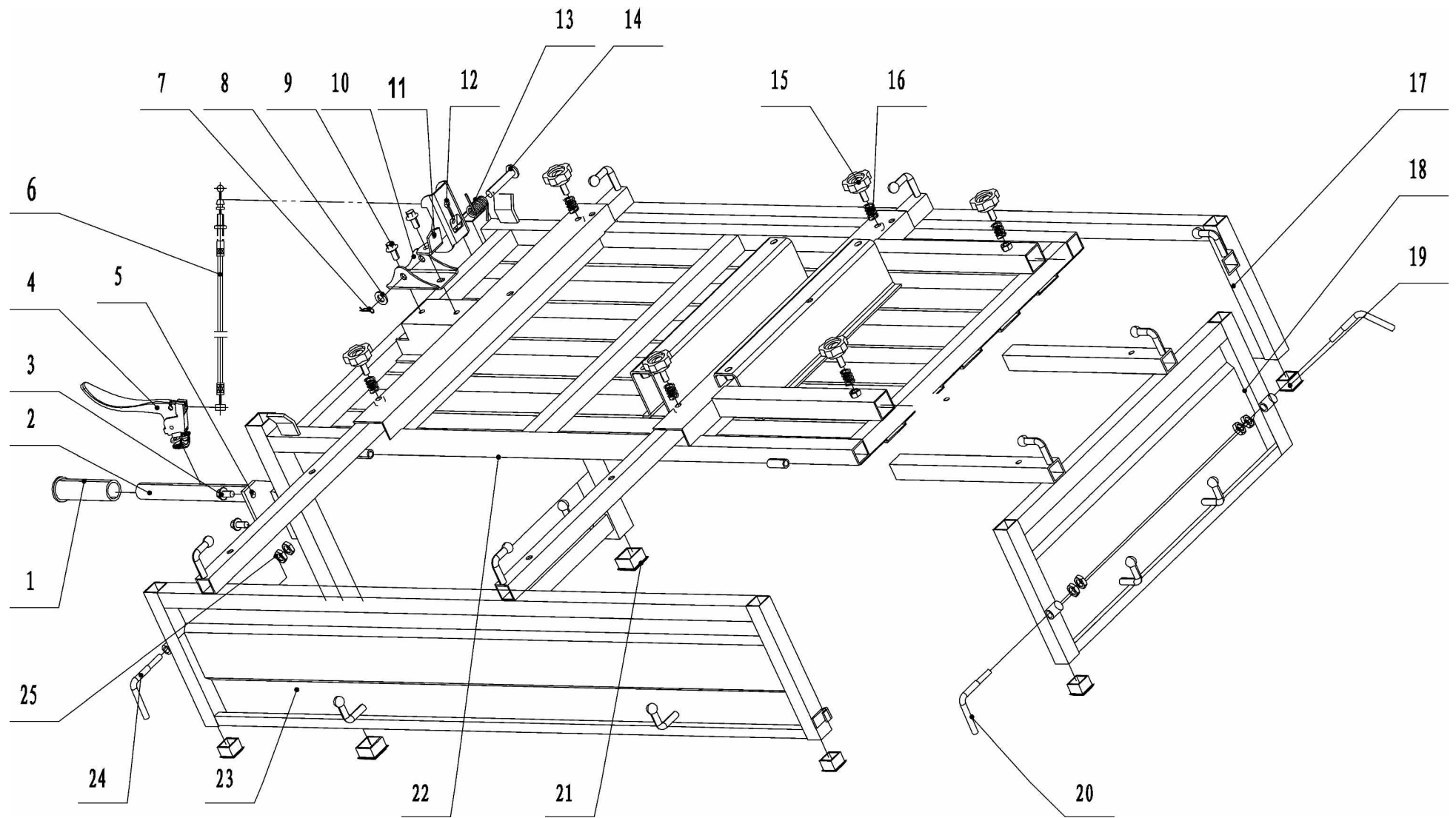


General assembly of running gear

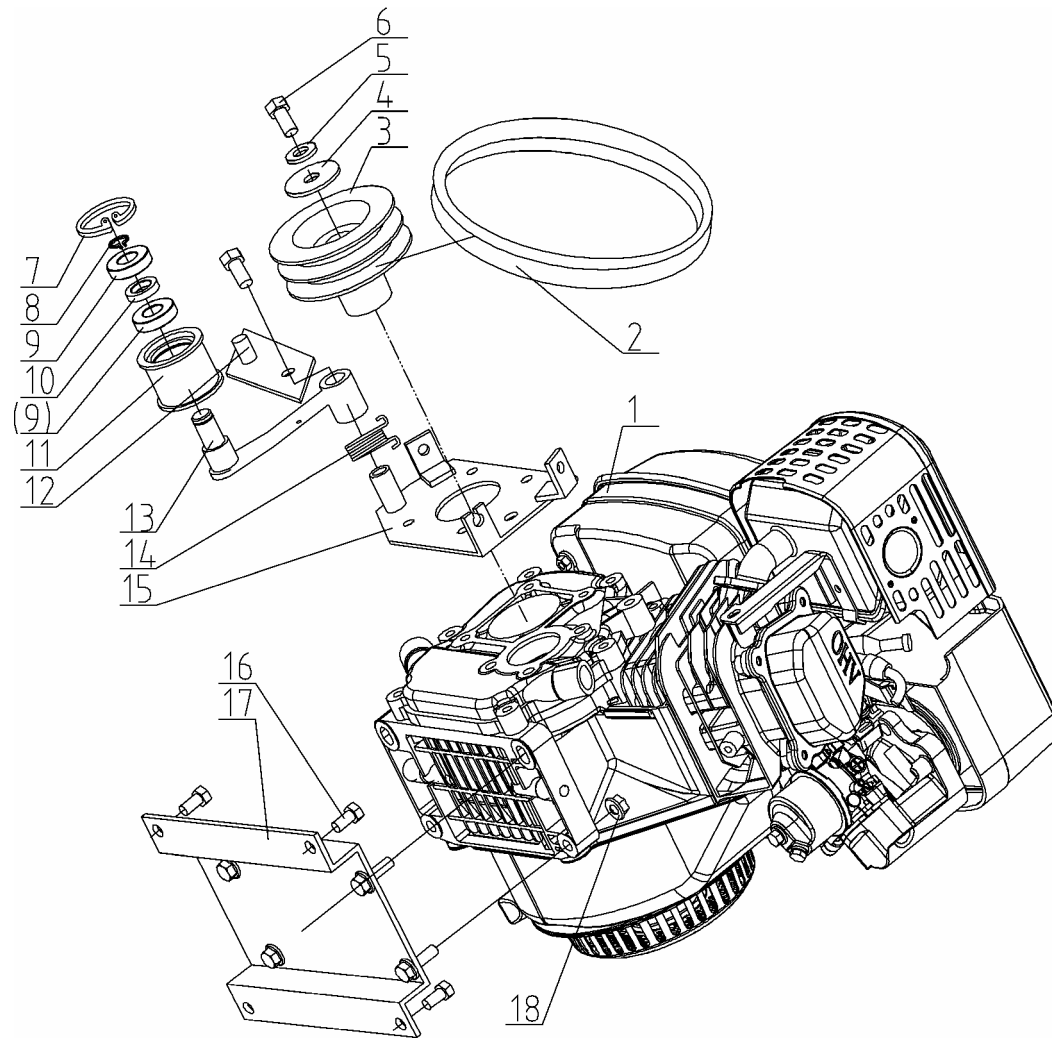
No.	Code	Name	Qty.	No.	Code	Name	Qty.
1	KGFC500-010000003	Recoil spring of guide wheel	2	21	KGFC500-010200000	Welded whirling stand of carriage	2
2	KGFC500-010000006	Seal end cover 47	10	22	KGFC500-010301000	Welded recoil rod of guide wheel	4
3	GB/T 16674.2-2004	Hex flanged bolt M10x25x1.25	10	23	KGFC500-010000002	Shim plate of spring	4
4	KGFC500-010000007	Pressure plate of bearing	10	24	KGFC500-010300004	Shaft sleeve	2
5	GB/T 276-1994	Bearing 6204	20	25	KGFC500-010300002	Guide shaft sleeve	2
6	KGFC500-010300001	Guide wheel	2	26	KGFC500-010300003	Guide shaft	1
7	KGFC500-010300005	Combined oil seal 47	10	27	KGFC500-020700000	Welded baffler of guide wheel	1
8	KGFC500-010000004	Spacing board of spring	2				
9	GB/T 6171-2000	Nut M12x1.25	4				
10	KGFC500-010500000	Welded fixing board of carriage	1				
11	GB/T 16674.1-2004	Hex flanged bolt M8x16	12				
12	KGFC500-020300002	Supporting wheel assy.	2				
13	KGFC500-010000005	Fixing and adjusting board of carriage	1				
14	GB/T 6177.1-2000	Hex flanged nut M6	4				
15	KGFC500-010000008	Cushion board of carriage	2				
16	KGFC500-010100000	Welded frame of running gear	1				
17	KGFC500-010000009	Crawler 180x60x37	2				
18	GB/T 6177.2-2000	Hex flanged nut M12x1.25	2				
19	KGFC500-010000001	Rotary shaft sleeve of carriage	2				
20	GB/T 16674.2-2004	Hex flanged bolt M12x110x1.25	2				

Note: chassis of KGFC350 model is fitted with 6 supporting wheels and that of KGFC500 model is fitted with 8 supporting wheels.

KGFC500-02000000 General assembly of carriage



KGFC350/500-03000000 General assembly of engine

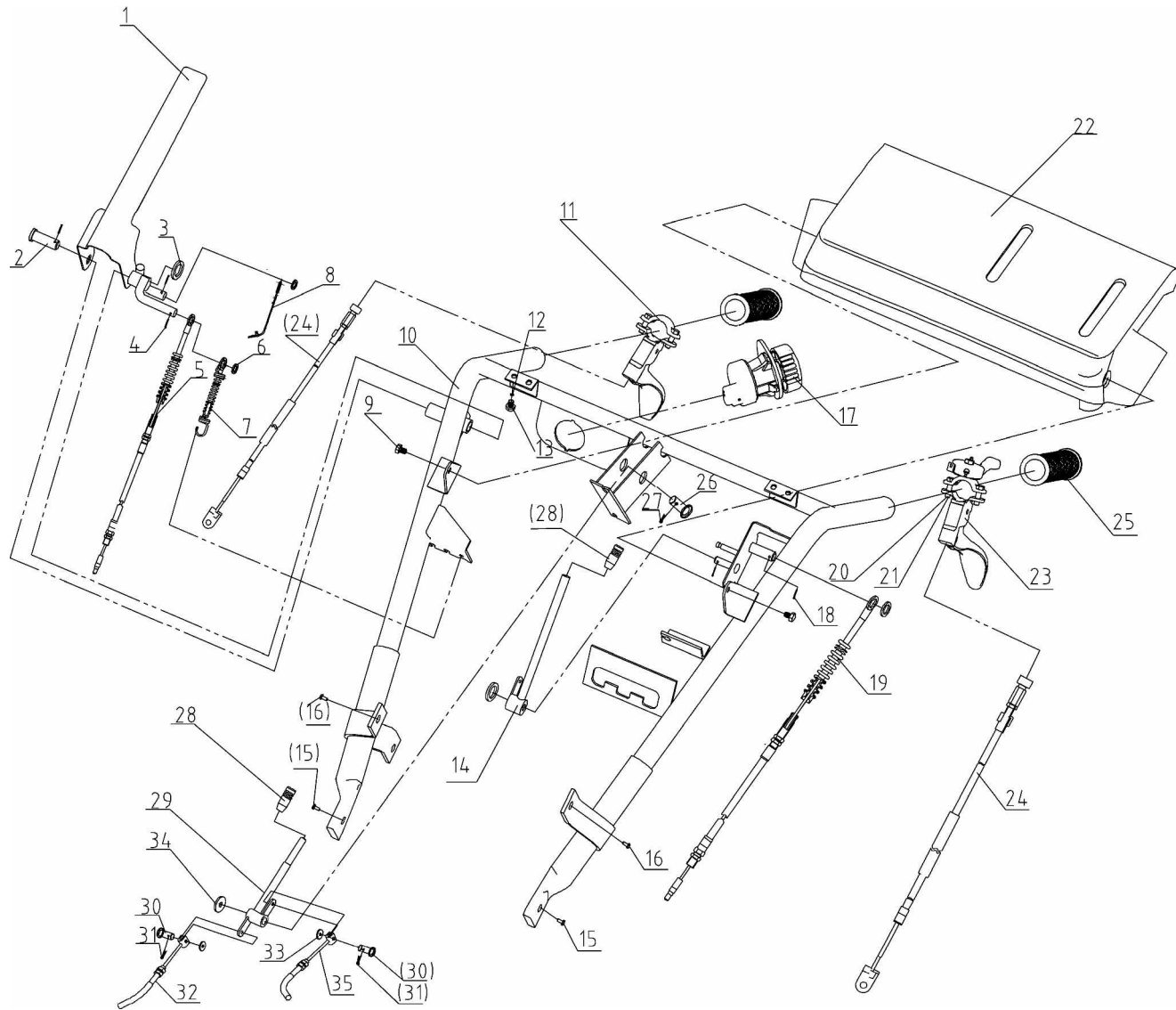


General assembly of engine

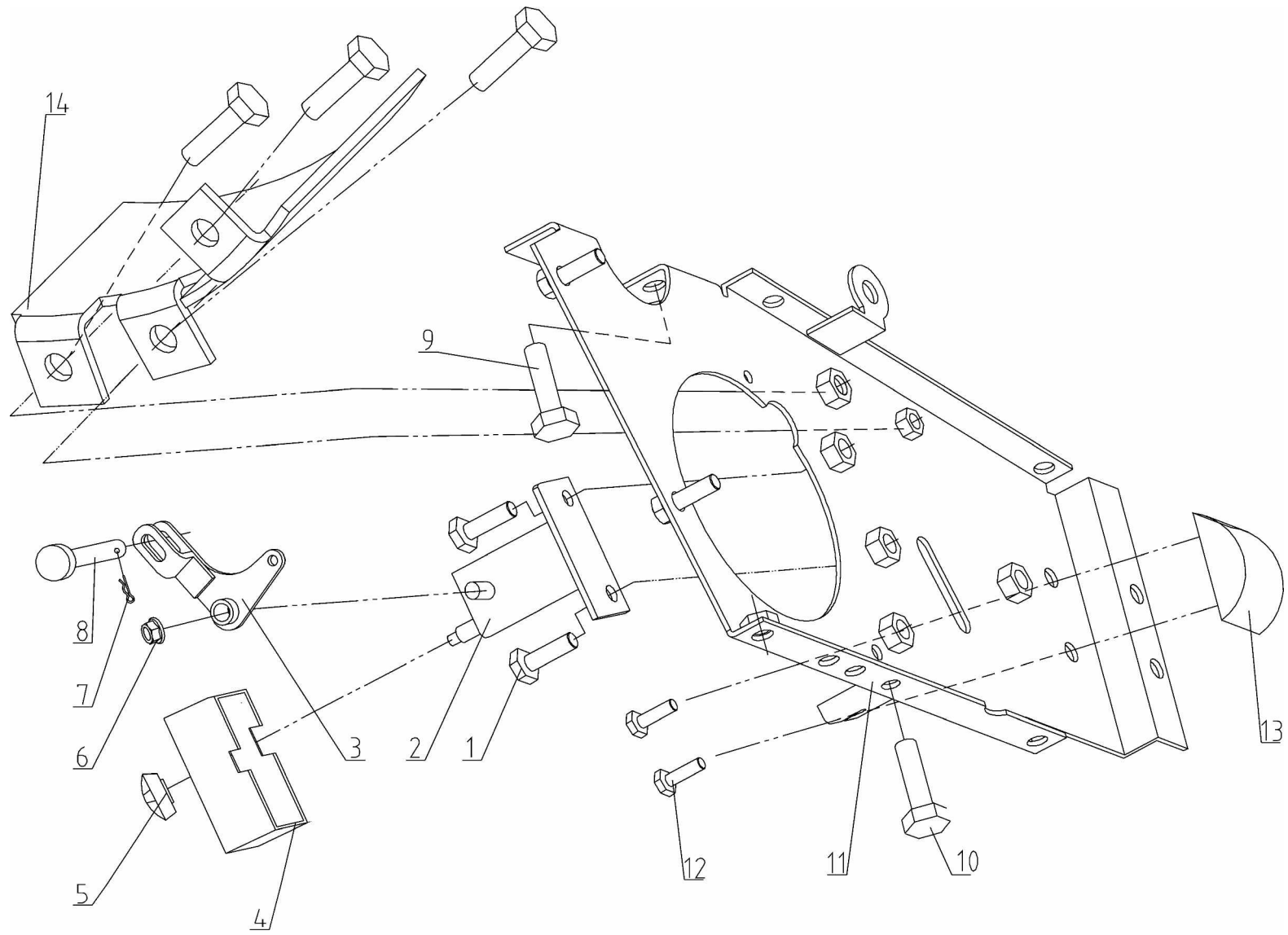
No.	Code	Name	Qty.	No.	Code	Name	Qty.
1	GK205-00000	Gasoline engine 205	1				
2	KGFC500-030000005	Type A V-belt	2				
3	KGFC500-030000003	Driving pulley	1				
4	KGFC500-030000004	Special washer 8	1				
5	GB/T859-1987	Washer 8	9				
6	GB/T5783-2000	Bolt M8x25	1				
7	GB/T893.1-1986	Stop collar 32	1				
8	GB/T894.8-1986	Stop collar 15	1				
9	GB/T275-4-1994	Bearing 16002	2				
10	KGFC500-030300002	Gasket	1				
11	KGFC500-030300001a	Roller	1				
12	6.22.017	Welded limiting pole II	1				
13	KDD30.200.02-001	Welded support of clutch	1				
14	KGFC500-030000002	Torsion spring	1				
15	KGFC500-030200000	Welded mounting plate of main shaft	1				
16	GB/T5789-2000	Bolt M8x16	10				
17	KGFC500-030100000	Welded mounting plate of engine	1				
18	GB/T6177.1-2000	Flanged nut M8	4				

Note: KGFC350 model is fitted with GK170-00000 engine.

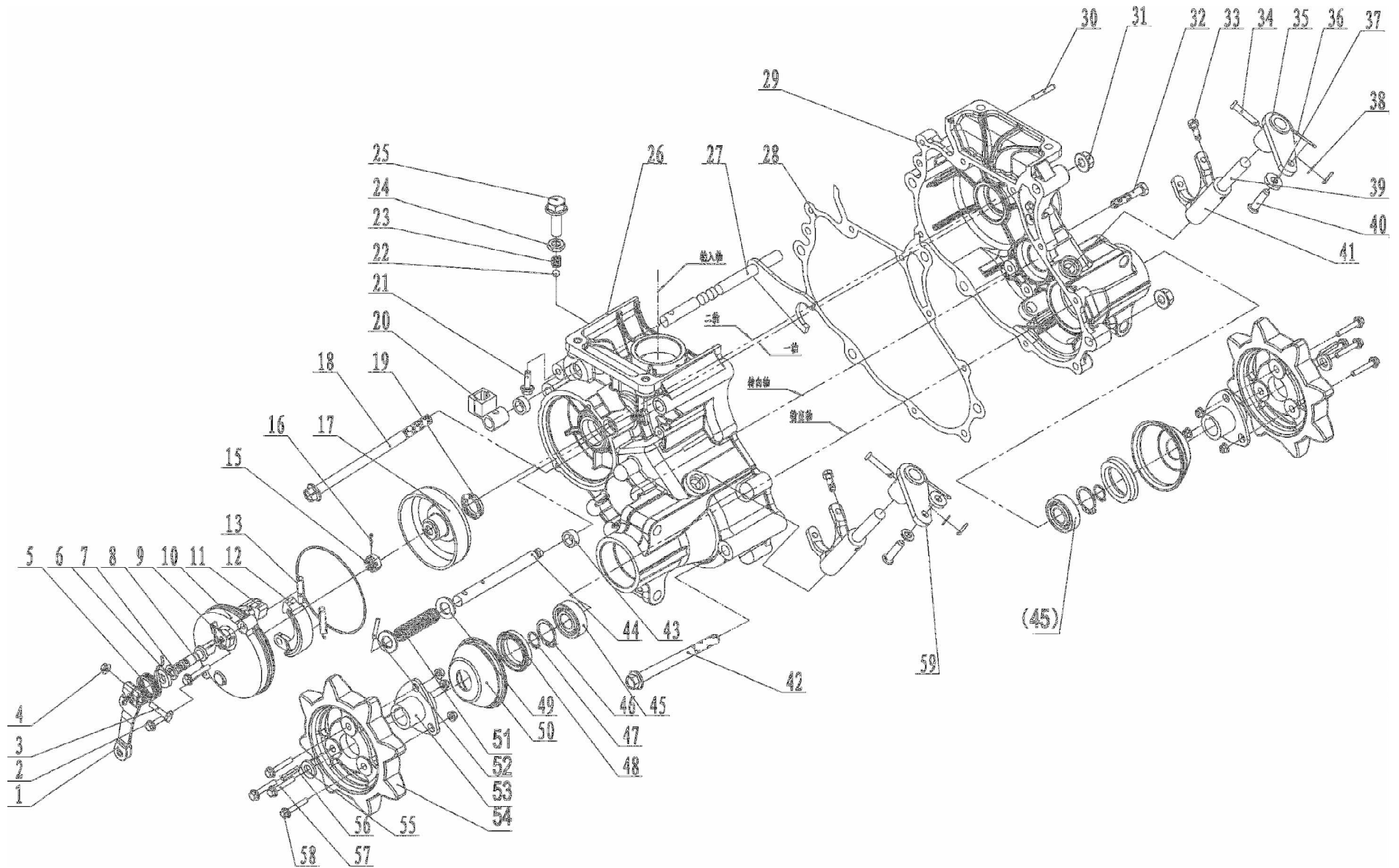
KGFC500-04000000 General assembly of handrail



KGFC500-05000000 General assembly of left side board



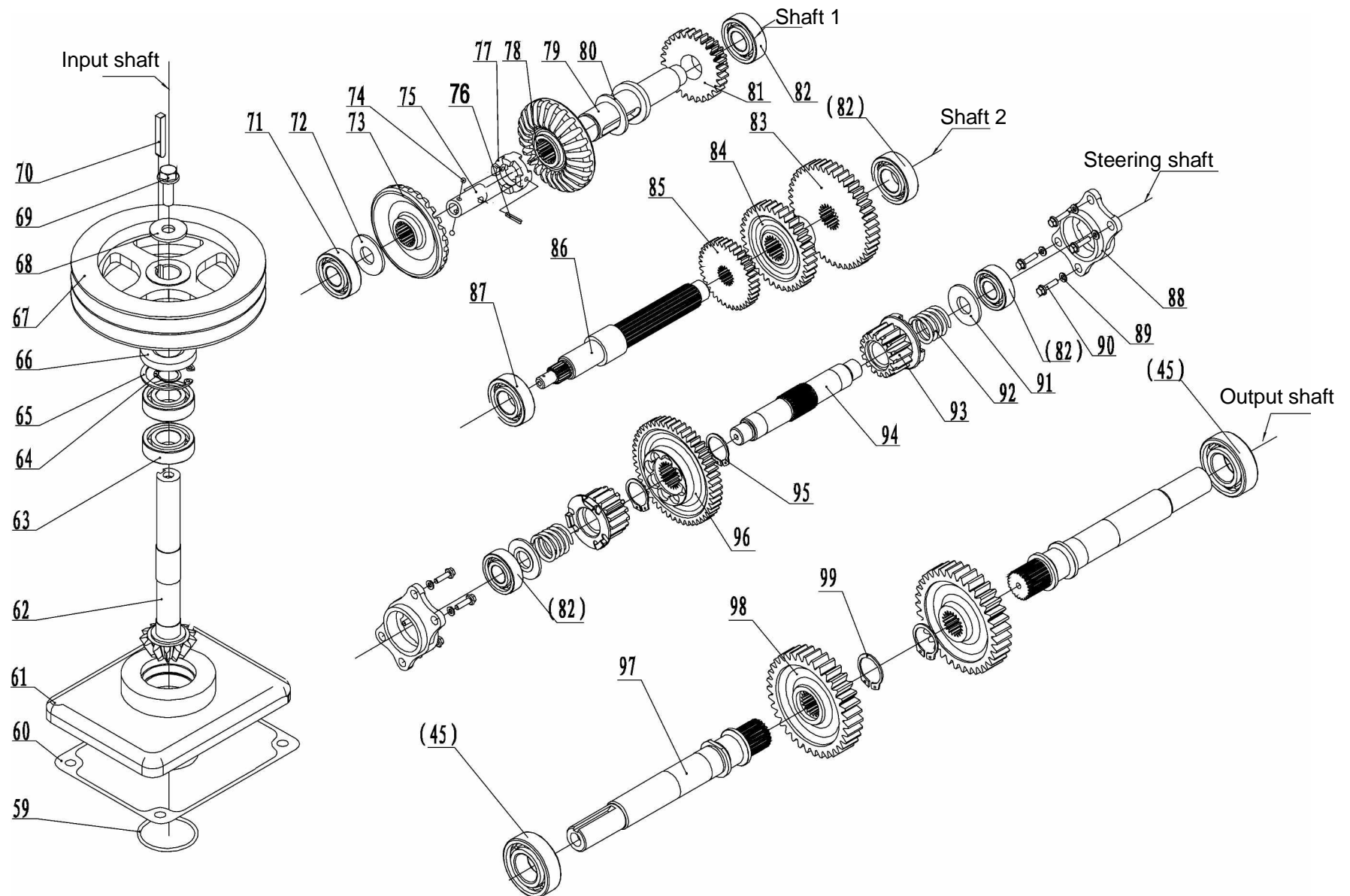
KGFC500-060000000General assembly of driving axle



KGFC500-060000000General assembly of driving axle

No.	Code	Name	Qty.	No.	Code	Name	Qty.
1	KGFC500-060300007	Connecting plate	1	25	GB/T5783-2000	Bolt M10x35	2
2	GB/T16674.1-2004	Bolt M5x30	2	26	KGFC500-060000004	Left housing of gearbox	1
3	GB/T5783-2000	Bolt M5x25	1	27	KGFC500-060900000	Welded quick/low-velocity fork	1
4	GB/T6177.1-2000	Nut M5	1	28	KGFC500-060000018	Paper washer of left and right	1
5	KGFC500-060300002	Torsion spring	1	29	KGFC500-060000008	Right housing of gearbox	1
6	KGFC500-060300001	Washer 10	1	30	KGFC500-060000020	Hollow pin	2
7	KGFC500-060300003	Seal ring 9x16x2.5	1	31	GB/T6177.1-2000	Flanged nut M10	10
8	KGFC500-060300004	Brake shaft	1	32	GB/T5789-1986	Flanged bolt M6x30	6
9	KGFC500-060300008	Catch plate of torsion spring	1	33	6.37-143A	Fork positioning spring	1
10	KGFC500-060300005	Brake end cover assy.	1	34	GB/T882-1986	Hinge pin 5x26	2
11	KGFC500-060301000	Brake disc bonding I	1	35	KGFC500-060701000	Welded right-turn arm	1
12	KGFC500-060302000	Brake disc bonding II	1	36	GB/T91-2000	Pin 2x20	4
13	KGFC500-060300006	Tension spring of brake	2	37	GB/T97.3-2000	Washer 6	2
14	GB/T3452.1-2005	O ring 97.5x1.8	1	38	GB/T97.3-2000	Washer 5	2
15	GB/T9459-1988	Slotted thin nut M10x1	1	39	KGFC500-060000009	Fork shaft	2
16	GB/T91-2000	Pin 2x20	1	40	GB/T882-1986	Hinge pin 6x22	2
17	KGFC500-060400000	Welded brake drum	1	41	KGFC500-060000006	Fork	2
18	GB/T5789-1986	Flanged bolt M10x160	1	42	GB/T5789-1986	Flanged bolt M10x120	3
19	GB/T9877.1-1988	Oil seal FB10x30x7	1	43	GB/T9877.1-1988	FB12x18x5	4
20	KGFC500-060901000	Quick/low-velocity adjuster	1	44	KGFC500-060200001	Fork shaft of reverse gear I	1
21	GB/T5783-2000	Bolt M8x30	4	45	GB/T276-1994	Bearing 6205	4
22	GB/T308-1984	Steel ball Φ8	2	46	GB/T893.1-1986	Collar 52	2
23	6.37-143A	Fork positioning spring	2	47	GB/T894.1-1986	Collar 25	2
24	GB/T6172.1-2000	Nut M10	2	48	KGFC500-060000003	Oil seal assy.	2

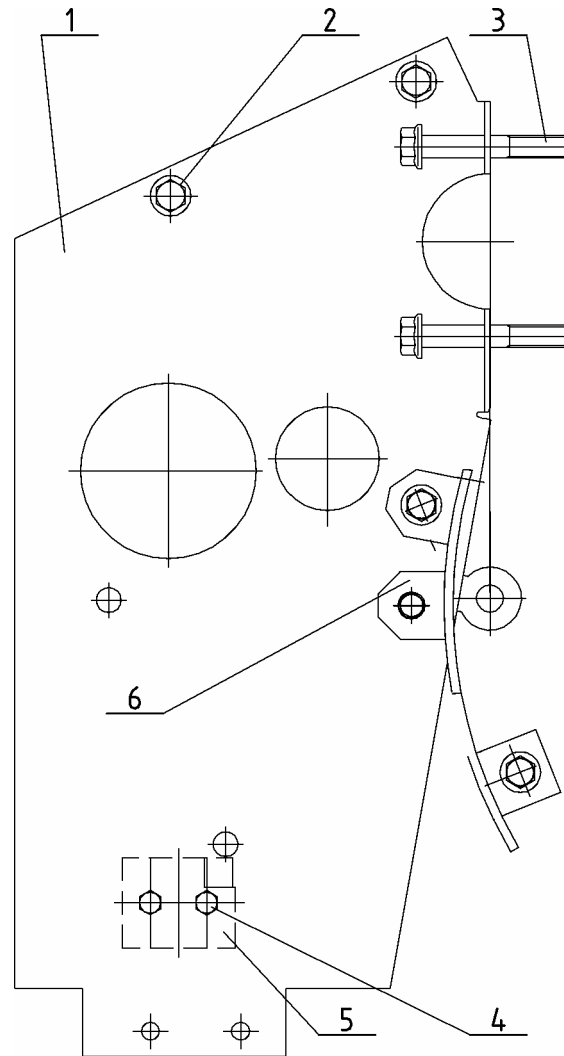
KGFC500-060000000General assembly of driving axle II



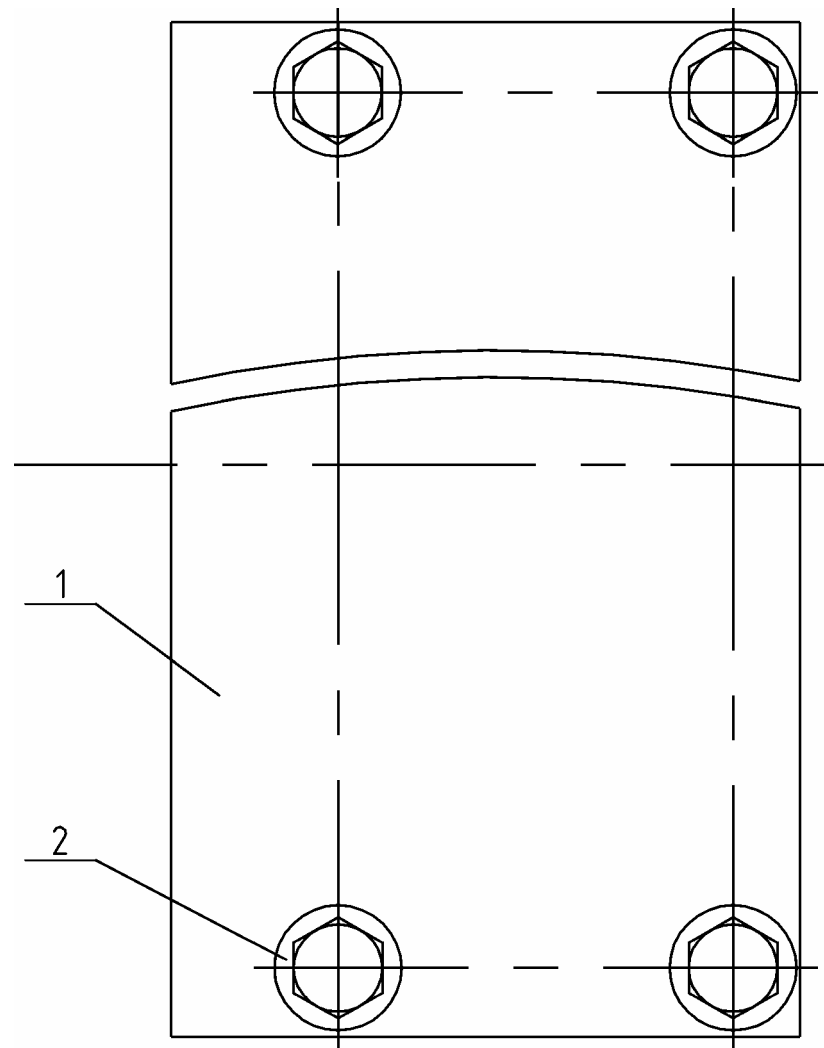
KGFC500-060000000General assembly of driving axle

No.	Code	Name	Qty.	No.	Code	Name	Qty.
59	GB/T3452.1-1992	O ring 43.7x2.65	1	83	KGFC500-060000012	Slow-velocity gear of shaft II	1
60	KGFC500-060000019	Paper washer of housing capping	1	84	KGFC500-060000013	Quick-velocity gear of shaft II	1
61	KGFC500-060100001	Housing capping	1	85	KGFC500-060000014	Driving gear of shaft II	1
62	KGFC500-060100002	Driving gear	1	86	KGFC500-060000011	Shaft II	1
63	GB/T276-1994	Bearing 6004	2	87	GB/T276-1994	Bearing 6004	1
64	GB/T894.1-1986	Collar 20	1	88	KGFC500-060000010	Bearing seat	2
65	GB/T893.1-1986	Collar 42	1	89	GB/T9074.27-1988	Washer 6	8
66	GB/T13871-1992	Oil seal FB20x45x7	1	90	GB/T5789-1986	Flanged bolt M6x25	8
67	KGFC500-060100003a	Driven pulley	1	91	KGFC500-060600002	Gasket	2
68	GB/T96.1-2002	Washer 6	1	92	KGFC500-060600003	Steering spring	2
69	GB/T5789-1986	Flanged bolt M6x25	1	93	KGFC500-060600004	Steering gear	2
70	GB/T1096-1979	Key B6x35	1	94	KGFC500-060600001	Steering shaft	1
71	GB/T276-1994	Bearing 60/22	1	95	GB/T894.1-1986	Collar 25	2
72	KGFC500-060200009	Gear washer (option) of shaft I	1	96	KGFC500-060600005	Middle gear of steering shaft	1
73	KGFC500-060200002	Forward bevel gear of shaft I	2	97	KGFC500-060000005	Output shaft	2
74	GB/T308-1984	Steel ball Φ 4	2	98	KGFC500-060000007	Gear of output shaft	2
75	KGFC500-060200010	Fork seat	1	99	GB/T894.1-1986	Collar 25	2
76	GB/T879.2-2000	Pin 5x35	1				
77	KGFC500-060200005	Slide sleeve of shaft I	1				
78	KGFC500-060200007	Backward bevel gear of shaft I	1				
79	KGFC500-060200003	Shaft I	1				
80	KGFC500-060200006	Adjusting shim	1				
81	KGFC500-060200004	Variable gear of shaft I	1				
82	GB/T276-1994	Bearing 6203	4				

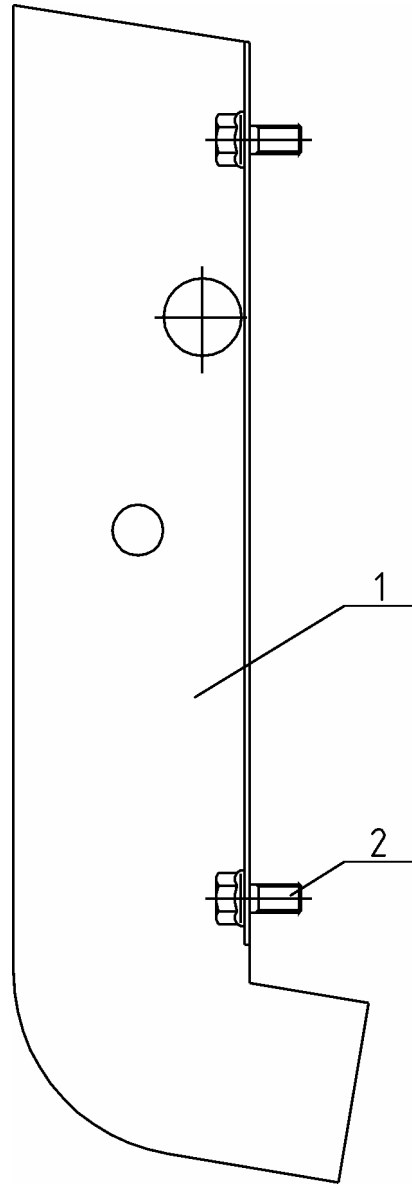
KGFC500-07000000 General assembly of right side board



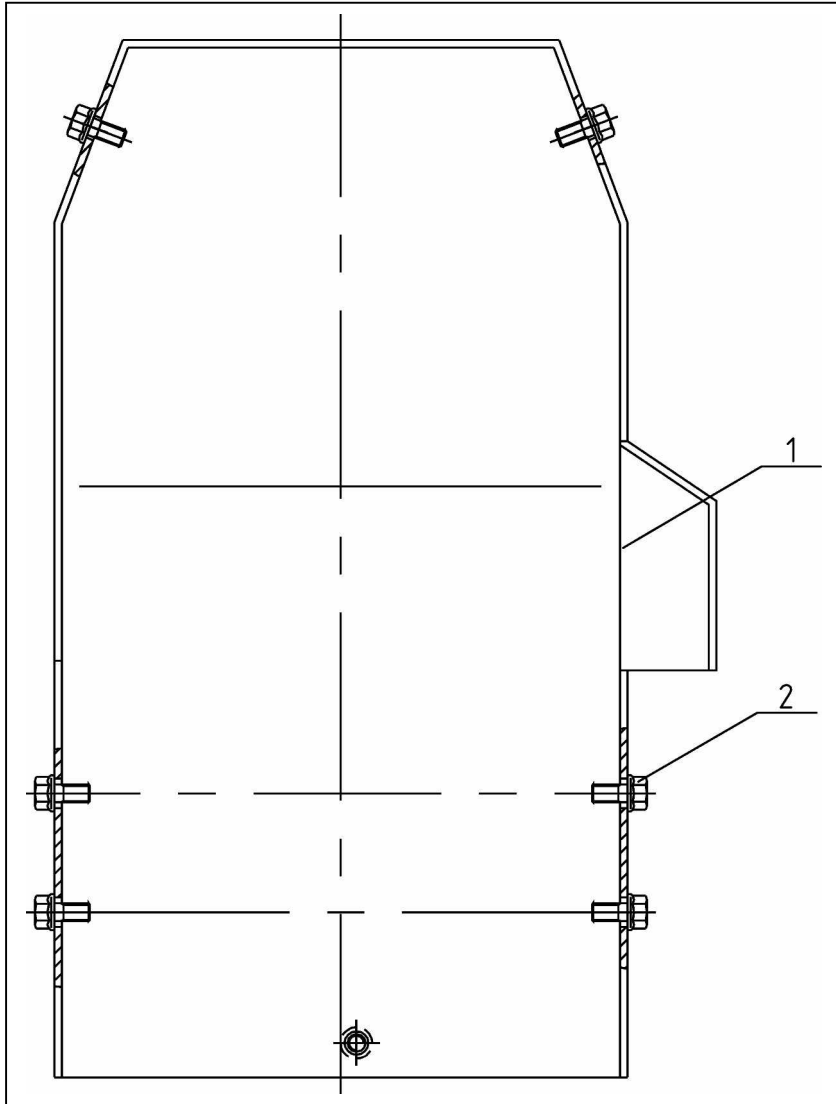
KGFC500-08000000 General assembly of support cover



KGFC500-09000000 General assembly of base plate



KGFC500-1000000 General assembly of rear cover



WUXI KIPOR POWER CO., LTD.

Add.: No. 1098, Dacheng Road, Eastern part of Xishan Economic Development Zone, Wuxi

Tel.: 0086-510-88709888

Fax: 0086-510-88700555

E-mail: kipor@kipor.com