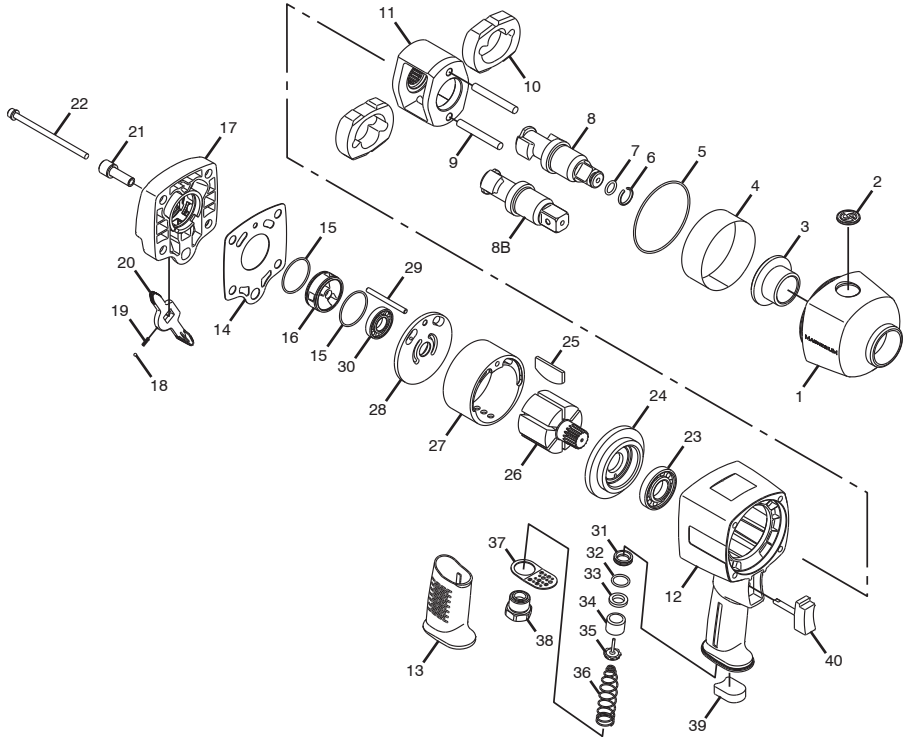




**Chicago
Pneumatic**

**CP8072 & CP8084 Series
Impact Wrench**



Index No.	Part No.	Description	No. Req'd.	Index No.	Part No.	Description	No. Req'd.
1	2050520213	Magnesium Clutch Housing	1	24	2050522013	Plate-Front End	1
2	2050520223	CP logo coin	1	25	2050522023	Blade Set (6)	1
3	2050520233	Bushing-Clutch Housing	1	26	2050522033	Rotor	1
4	2050520243	Steel Ring	1	27	2050522043	Liner	1
5	2050520253	Gasket-Clutch Housing	1	28	2050522053	Plate-Rear End	1
6	2050522193	Ring-Friction (3/4 in. Sq.)(CP8072)	1	29	2050522063	Pin	1
7	2050522213	O-Ring (3/4 in. Sq.)(CP8072)	1	30	2050522073	Bearing	1
8	2050522233	Anvil (3/4 in. Sq.)(CP8072)	1	31	2050522083	Insert Bushing	1
8B	2050522253	Anvil (1 in. Sq.)(CP8084)	1	32	2050522093	O-Ring	1
9	2050520263	Pin	2	33	2050522103	Seal	1
10	2050520273	Dog	2	34	2050522113	Bushing	1
11	2050520283	Cage	1	35	2050522123	Valve-Throttle	1
12	2050520293	Magnesium Housing-Motor	1	36	2050522133	Spring-Throttle Valve	1
13	2050520303	Rubber Grip	1	37	2050522143	Exhaust Deflector	1
14	2050520313	Gasket-Rear Cover	1	38	2050522153	Inlet Bushing	1
15	2050520323	O-Ring	2	39	2050522163	Muffler	1
16	2050520333	Reverse Valve	1	40	2050522173	Lever-Throttle	1
17	2050521913	Magnesium Rear Cover	1		2050522183	Clutch Housing Assembly (Incl: Index Nos. 1, 2, 3)	
18	2050521923	Steel ball	1		2050522293	Anvil (CP8072) (Incl: Index Nos. 6, 7, 8)	
19	2050521933	Spring	1				
20	2050521943	Lever-Reverse Valve	1				
21	2050521953	Screw	4				
22	2050521963	Screw	4				
23	2050522003	Bearing	1				



6159948710	SAFETY INSTRUCTIONS
2050521973	OPERATOR'S MANUAL
8940168930	EC DECLARATION